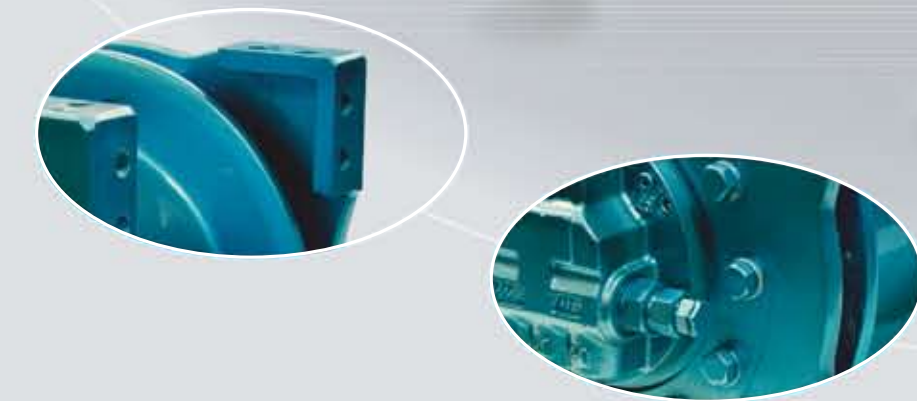
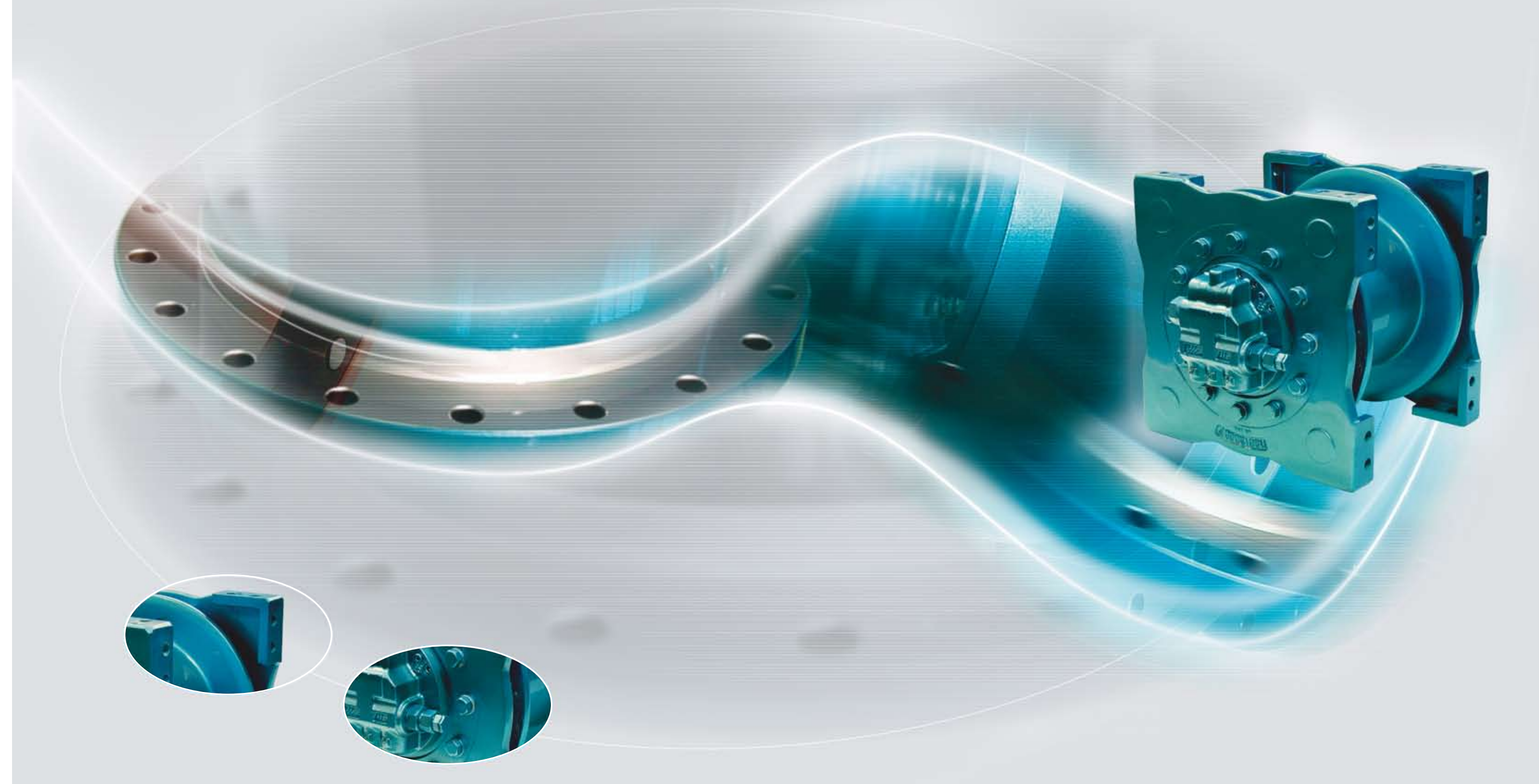


CT-6219-0708

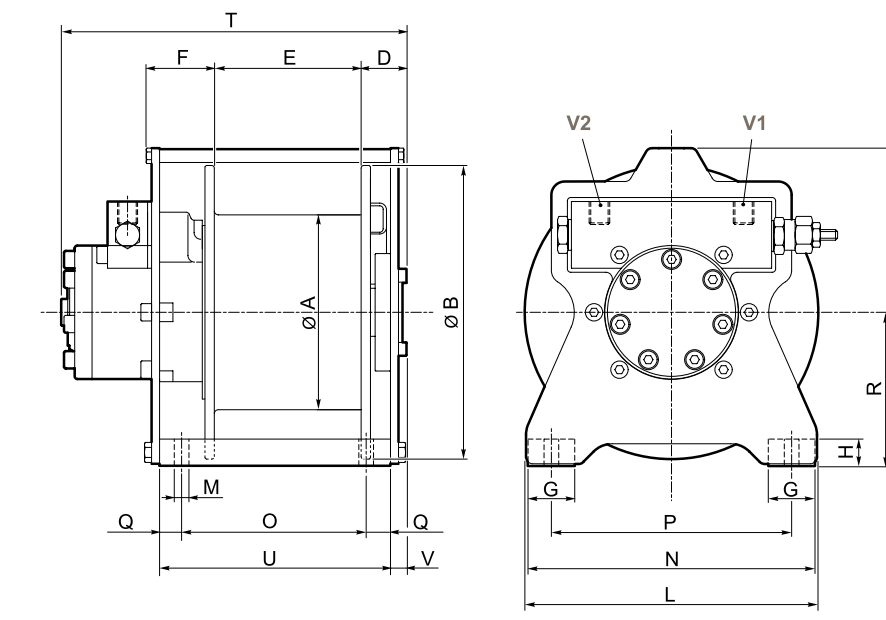


<b>BW</b>		<b>4100</b>	<b>5200</b>
<b>A</b>		14.173	14.173
<b>B</b>		20.669	20.669
<b>D</b>		3.504	3.504
<b>E</b>		14.488	14.488
<b>F</b>		2.343	2.343
<b>G</b>		4.724	4.724
<b>H</b>		2.913	2.913
<b>L</b>		24.803	24.803
<b>M</b>		0.827	0.827
<b>N</b>		21.260	21.260
<b>O</b>		12.992	12.992
<b>P</b>		15.748	15.748
<b>P1</b>		18.504	18.504
<b>R</b>		10.531	10.531
<b>S</b>		16.535	16.535
<b>T</b>		23.874	23.874
<b>L1</b>	LP [lbs]	<b>13713</b>	<b>16860</b>
	RS [ft/min]	131	98
	RL [ft]	75	69
<b>L2</b>	LP [lbs]	<b>12521</b>	<b>15241</b>
	RS [ft/min]	144	108
	RL [ft]	157	142
<b>L3</b>	LP [lbs]	<b>11521</b>	<b>13938</b>
	RS [ft/min]	157	118
	RL [ft]	246	223
<b>L4</b>	LP [lbs]	<b>10678</b>	<b>12814</b>
	RS [ft/min]	169	100
	RL [ft]	341	310
<b>PM</b>	[cm <sup>3</sup> /rev]	48	48
<b>LS</b>	[psi]	3625	3843
<b>SP</b>	[psi]	4568	4785
<b>BP</b>	[psi]	73	73
<b>BR</b>	[psi]	22	22
<b>MD</b>	[GPM]	32	29
<b>MF</b>	[GPM]	2.6	2.6
<b>RT</b>		71	83
<b>RD</b>	[in]	0.709	0.787
<b>MP</b>	V1-V2	n°2 7/8-14 UNF	n°2 7/8-14 UNF
<b>DL</b>	D	9/16-18 UNF	9/16-18 UNF
<b>OP</b>	T	1/2 GAS	1/2 GAS
<b>OIL</b>	[US Gal]	0.93	0.93
<b>Weight</b>	[lbs]	904	926

L1, 2, ...	Rope layer	PM	Piston motor	MD	Max. motor flow	MP	Main motor ports
LP	Line pull	LS	Lifting pressure	MF	Min. motor flow	DL	Motor drain line port
RS	Rope speed with max. motor flow MD	SP	Starting lifting pressure	OP	Oil quantity	OP	Filling/level/drain plug for gearbox
RL	Rope length	BP	Max. back pressure on return line	RD	Recommended rope size	OIL	Oil quantity
		BR	Max. pressure on drain line			Weight	Weight

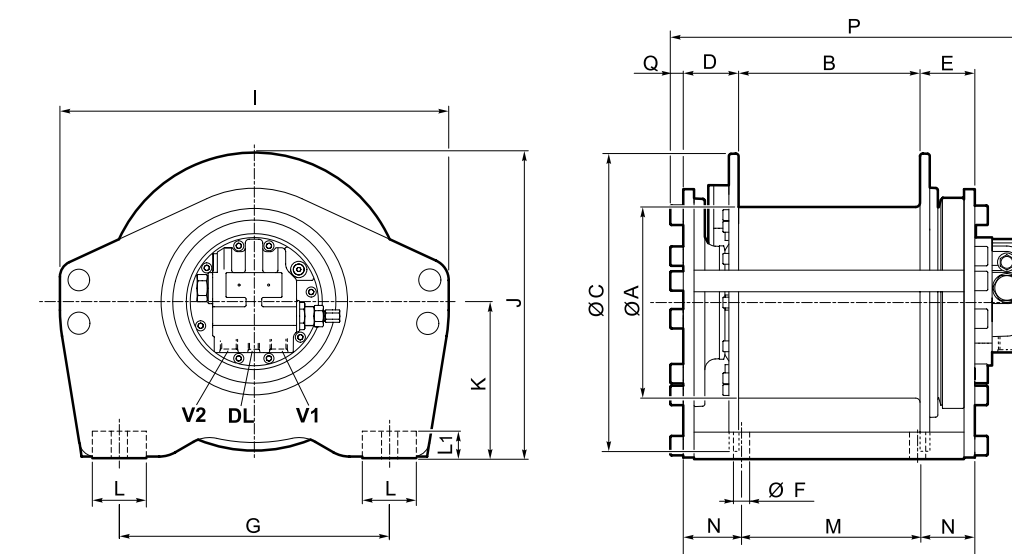
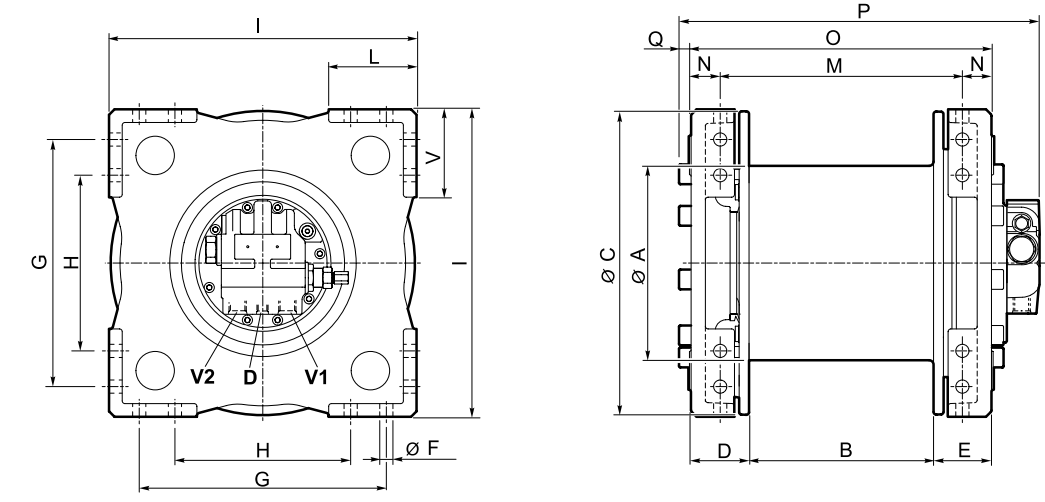
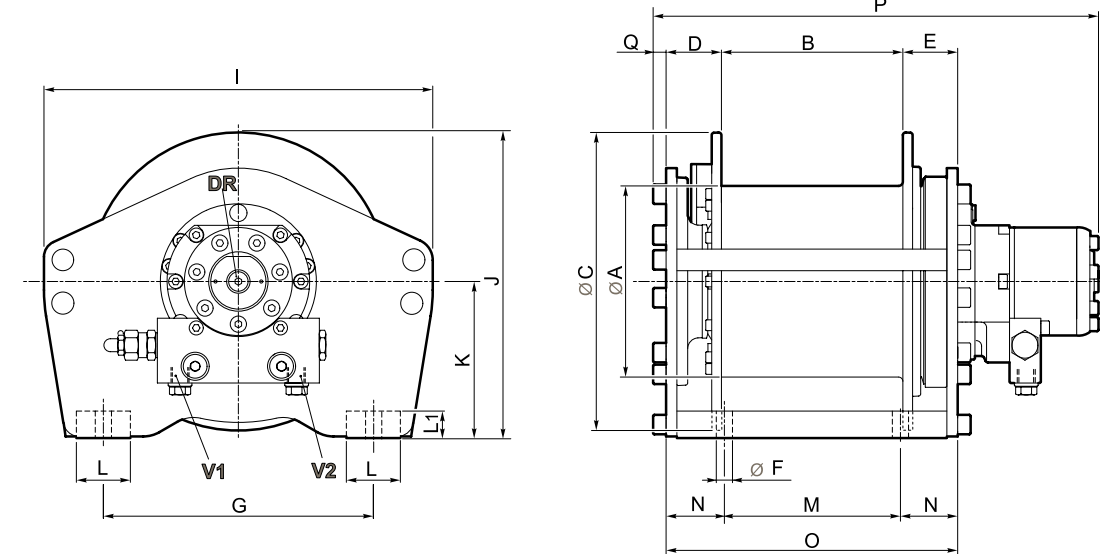
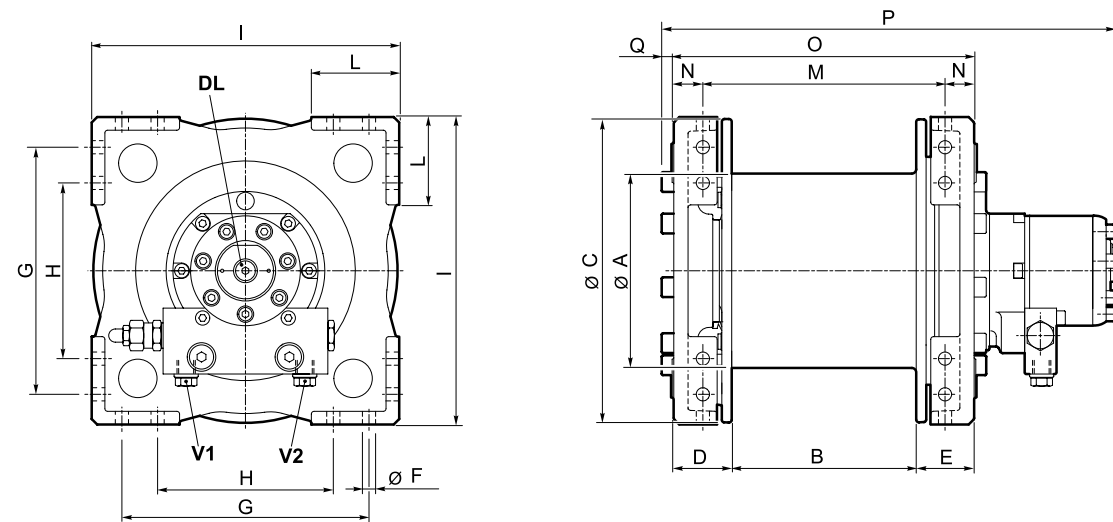


**Brevini Power Transmission** - 42100 REGGIO EMILIA - Italy - Via Degola,14  
 Tel. +39 0522 9281 - Fax + 39 0522 928300 - [brevini@breviniwinches.it](mailto:brevini@breviniwinches.it) - [www.breviniwinches.it](http://www.breviniwinches.it)  
**Brevini USA, Inc.** - 400 Corporate Woods Parkway - Vernon Hills, IL 60061  
 tel Toll free USA (888) BREVINI (888-273-8464) - 847-478-1000 - <http://breviniusa.com> - [info@breviniusa.com](mailto:info@breviniusa.com)



<b>DW</b>		<b>050</b>
<b>A</b>		5.748
<b>B</b>		8.661
<b>D</b>		1.339
<b>E</b>		4.331
<b>F</b>		2.008
<b>G</b>		1.378
<b>H</b>		0.787
<b>L</b>		8.583
<b>M</b>		0.433
<b>N</b>		8.465
<b>O</b>		5.512
<b>P</b>		7.087
<b>Q</b>		0.650
<b>R</b>		4.528
<b>S</b>		9.370
<b>T</b>		10.236
<b>U</b>		6.811
<b>V</b>		0.472
<b>L1</b>	LP [lbs]	<b>1124</b>
	RS [ft/min]	135
	RL [ft]	30
<b>L2</b>	LP [lbs]	<b>1045</b>
	RS [ft/min]	144
	RL [ft]	56
<b>L3</b>	LP [lbs]	<b>978</b>
	RS [ft/min]	156
	RL [ft]	89
<b>L4</b>	LP [lbs]	<b>910</b>
	RS [ft/min]	167
	RL [ft]	121
<b>OM</b>	[cm <sup>3</sup> /rev]	250
<b>LS</b>	[psi]	1740
<b>SP</b>	[psi]	2030
<b>BP</b>	[psi]	—
<b>MD</b>	[GPM]	6.6
<b>RT</b>		1
<b>RD</b>	[in]	0.236
<b>MP</b>	V1-V2	3/8 GAS
<b>DL</b>	D	—
<b>OP</b>	T	n°2 1/4 GAS
<b>OIL</b>	[US Gal]	0.04
<b>Weight</b>	[lbs]	60

L1, 2, ...	Rope layer	OM	Orbital motor	MD	Max. motor flow	MP	Main motor ports
LP	Line pull	LS	Lifting pressure	MF	Min. motor flow	DL	Motor drain line port
RS	Rope speed with flow 6.6 GPM	SP	Starting lifting pressure	OP	Oil quantity	OP	Filling/level/drain plug for gearbox
RL	Rope length	BP	Max. back pressure on return line	RD	Recommended rope size	OIL	Oil quantity
		BR	Max. pressure on drain line			Weight	Weight



EGO	110LS	130LS	160LS	200LS	220LS	240LS	290LS	310LS	350LS	380LS	430LS	550LS
A	6.969	6.969	6.969	6.969	6.969	9.685	9.685	9.685	10.709	9.685	10.709	10.709
B	6.614	6.614	6.614	6.614	6.614	7.441	7.441	7.441	9.252	7.441	9.252	9.252
C	10.866	10.866	10.866	10.866	10.866	15.591	15.591	15.591	17.559	15.591	17.559	17.559
D	2.087	2.087	2.087	2.087	2.087	2.293	2.293	2.293	2.835	2.293	2.835	2.835
E	2.087	2.087	2.087	2.087	2.087	2.185	2.185	2.185	2.539	2.185	2.539	2.539
F	0.472 n.32	0.472 n.32	0.472 n.32	0.472 n.32	0.472 n.32	0.630 n.32	0.630 n.32	0.630 n.32	0.709 n.32	0.630 n.32	0.709 n.32	0.709 n.32
G	8.858	8.858	8.858	8.858	8.858	13.189	13.189	13.189	14.764	13.189	14.764	14.764
H	6.299	6.299	6.299	6.299	6.299	10.039	10.039	10.039	11.220	10.039	11.220	11.220
I	11.024	11.024	11.024	11.024	11.024	15.748	15.748	15.748	17.717	15.748	17.717	17.717
L	3.150	3.150	3.150	3.150	3.150	3.937	3.937	3.937	4.331	3.937	4.331	4.331
M	8.681	8.681	8.681	8.681	8.681	9.272	9.272	9.272	11.673	9.272	11.673	11.673
N	1.043	1.043	1.043	1.043	1.043	1.319	1.319	1.319	1.476	1.319	1.476	1.476
O	10.768	10.768	10.768	10.768	10.768	11.909	11.909	11.909	14.626	11.909	14.626	14.626
P	15.157	15.433	15.787	16.260	16.693	14.843	15.000	17.283	20.709	17.402	20.866	21.102
Q	0.433	0.433	0.433	0.433	0.433	0.512	0.512	0.512	0.591	0.512	0.591	0.591
L1 LP [lbs]	2473	2922	3597	4496	4946	5395	6519	6969	7868	8542	9666	12364
L1 RS [ft/min]	161	131	105	85	66	75	59	105	98	85	82	66
L1 RL [ft]	39	33	33	33	33	43	43	43	43	36	43	43
L2 LP [lbs]	2248	2641	3237	4046	4496	4946	5975	6362	7160	7711	8689	11128
L2 RS [ft/min]	176	144	116	94	72	82	66	115	108	95	92	72
L2 RL [ft]	84	69	69	69	69	89	89	89	102	75	92	92
L3 LP [lbs]	2102	2405	2956	3709	4069	4552	5508	5867	6575	7025	7902	10116
L3 RS [ft/min]	190	159	128	102	80	89	71	125	118	103	98	79
L3 RL [ft]	131	108	108	108	108	138	138	161	121	144	144	144
L4 LP [lbs]	1956	2203	2720	3406	3754	4215	5103	5440	6070	6452	7239	9262
L4 RS [ft/min]	203	174	138	112	87	95	75	133	128	113	108	85
L4 RL [ft]	180	151	151	151	151	190	190	225	167	200	200	200
OM [cm³/rev]	160	200	250	315	400	100	130	80	100	100	130	160
LS [psi]	2393	2393	2393	2393	2393	2393	2393	2755	2900	2755	2900	2900
SP [psi]	2900	2828	2828	2828	2828	2828	2828	3408	3625	3408	3625	3625
BP [psi]	73	73	73	73	73	73	73	73	73	73	73	73
MD [GPM]	15.9	15.9	15.9	15.9	15.9	15.9	15.9	19.8	19.8	19.8	19.8	19.8
RT [psi]	3.9	3.9	3.9	3.9	3.9	20	20	20	18.9	20	18.9	18.9
RD [in]	0.315	0.394	0.394	0.394	0.394	0.472	0.472	0.472	0.551	0.551	0.630	0.630
MP V1-V2	n°2 3/8 G	n°2 3/8 G	n°2 3/8 G	n°2 3/8 G	n°2 3/8 G	n°2 3/8 G	n°2 3/8 G	n°2 3/4 G	n°2 3/4 G	n°2 3/4 G	n°2 3/4 G	n°2 3/4 G
DL D	—	—	—	—	—	1/4 G	1/4 G	1/4 G	1/4 G	1/4 G	1/4 G	1/4 G
OP T	n°3 1/8 G	n°3 1/8 G	n°3 1/8 G	n°3 1/8 G	n°3 1/8 G	n°3 1/4 G	n°3 1/4 G	n°3 1/4 G	n°3 1/4 G	n°3 1/4 G	n°3 1/4 G	n°3 1/4 G
OIL [US Gal]	0.24	0.24	0.24	0.24	0.24	0.29	0.29	0.29	0.53	0.29	0.53	0.53

EGO	110LR	130LR	160LR	200LR	220LR	240LR	290LR	310LR	350LR	380LR	430LR	550LR
A	6.969	6.969	6.969	6.969	6.969	9.685	9.685	9.685	10.709	9.685	10.709	10.709
B	6.614	6.614	6.614	6.614	6.614	7.441	7.441	7.441	9.252	7.441	9.252	9.252
C	10.866	10.866	10.866	10.866	10.866	15.591	15.591	15.591	17.559	15.591	17.559	17.559
D	2.008	2.008	2.008	2.008	2.008	2.205	2.205	2.205	2.756	2.205	2.756	2.756
E	2.008	2.008	2.008	2.008	2.008	2.047	2.047	2.047	2.480	2.047	2.480	2.480
F	0.591 n.4	0.591 n.4	0.591 n.4	0.591 n.4	0.591 n.4	0.748 n.4	0.748 n.4	0.748 n.4	0.906 n.4	0.748 n.4	0.906 n.4	0.906 n.4
G	9.843	9.843	9.843	9.843	9.843	12.598	12.598	12.598	15.748	12.598	15.748	15.748
I	14.173	14.173	14.173	14.173	14.173	19.094	19.094	19.094	21.535	19.094	21.535	21.535
K	5.709	5.709	5.709	5.709	5.709	7.792	7.792	7.792	8.976	7.792	8.976	8.976
J	11.142	11.142	11.142	11.142	11.142	15.787	15.787	15.787	17.756	15.787	17.756	17.756
L	1.969	1.969	1.969	1.969	1.969	2.362	2.362	2.362	3.543	2.362	3.543	3.543
L1	0.984	0.984	0.984	0.984	0.984	0.984	0.984	0.984	1.181	0.984	1.181	1.181
M	6.693	6.693	6.693	6.693	6.693	7.874	7.874	7.874	10.433	7.874	10.433	10.433
N	1.969	1.969	1.969	1.969	1.969	1.919	1.919	1.919	2.028	1.919	2.028	2.028
O	10.630	10.630	10.630	10.630	10.630	11.713	11.713	11.713	14.488	11.713	14.488	14.488
P	15.118	15.433	15.787	16.220	16.654	14.803	14.961	17.244	20.709	17.362	20.866	21.102
Q	0.472	0.472	0.472	0.472	0.472	0.551	0.551	0.551	0.551	0.551	0.630	0.630
L1 LP [lbs]	2473	2922	3597	4496	4946	5395	6519	6969	7868	8542	9666	12364
L1 RS [ft/min]	161	131	105	85	66	75	59	105	98	85	82	66
L1 RL [ft]	39	33	33	33	33	43	43	43	43	36	43	43
L2 LP [lbs]	2248	2641	3237	4046	4496	4946	5957	6362	7160	7711	8689	11128
L2 RS [ft/min]	176	144	116	94	72	82	66	115	108	95	92	72
L2 RL [ft]	84	69	69	69	69	89	89	89	102	75	92	92
L3 LP [lbs]	2102	2405	2956	3709	4069	4552	5508	5867	6575	7025	7902	10116
L3 RS [ft/min]	190	159	128	102	80	89	71	125	118	103	98	79
L3 RL [ft]	131	108	108	108	108	138	138	161	121	144	144	144
L4 LP [lbs]	1956	2203	2720	3406	3754	4215	5103	5440	6070	6452	7239	9262
L4 RS [ft/min]	203	174	138	112	87	95	75	133	128	113	108	85
L4 RL [ft]	180	151	151	151	151	190	190	225	167	200	200	200
OM [cm³/rev]	160	200	250	315	400	100	130	80	100	100	130	160
LS [psi]	2393	2393	2393	2393	2393	2393	2393	2755	2900	2755	2900	2900
SP [psi]	2900	2828	2828	2828	2828	2828	2828	3408	3625	3408	3625	3625
BP [psi]	73	73	73	73	73	73	73	73	73	73	73	73
MD [GPM]	15.9	15.9	15.9	15.9	15.9	15.9	15.9	19.8	19.8	19.8	19.8	19.8
RT [psi]	3.9	3.9	3.9	3.9	3.9	20	20	20	18.9	20	18.9	18.9
RD [in]	0.315	0.394	0.394	0.394	0.394	0.472	0.472	0.472	0.551	0.551	0.630	0.630
MP V1-V2	n°2 3/8 G	n°2 3/8 G	n°2 3/8 G	n°2 3/8 G	n°2 3/8 G	n°2 3/8 G	n°2 3/8 G	n°2 3/4 G	n°2 3/4 G	n°2 3/4 G	n°2 3/4 G	n°2 3/4 G
DL D	—	—	—	—	—	1/4 G	1/4 G	1/4 G	1/4 G	1/4 G	1/4 G	1/4 G
OP T	n°3 1/8 G	n°3 1/8 G	n°3 1/8 G	n°3 1/8 G	n°3 1/8 G	n°3 1/4 G	n°3 1/4 G	n°3 1/4 G	n°3 1/4 G	n°3 1/4 G	n°3 1/4 G	n°3 1/4 G
OIL [US Gal]	0.24	0.24	0.24	0.24	0.24	0.29	0.29	0.29	0.53	0.29	0.53	0.53

EGO	200HS	360HS	430HS
A	6.969	9.685	10.709
B	6.614	7.441	9.252
C	10.866	15.591	17.559
D	2.087	2.283	2.756
E	2.087	2.185	2.559
F	0.472 n.32	0.630 n.32	0.709 n.32
G	8.858	13.189	14.764
H	6.299	10.039	11.220
I	11.024	15.748	17.717
J	3.150	3.937	4.331
M	8.681	9.272	11.673
N	1.043	1.319	1.476
O	10.768	11.909	14.626
P	13.445	14.626	17.933
Q	0.433	0.512	0.591
L1 LP [lbs]	4496	8093	9666
L1 RS [ft/min]	151	154	134
L1 RL [ft]	33	36	43
L2 LP [lbs]	4046	7306	8689
L2 RS [ft/min]	167	171	149
L2 RL [ft]	69	75	92
L3 LP [lbs]	3709	6632	7902
L3 RS [ft/min]	184	187	164
L3 RL [ft]	108	121	144
L4 LP [lbs]	3406	6070	7239
L4 RS [ft/min]	197	205	180
L4 RL [ft]	151	167	200
PM [cm³/rev]	19	34	34
LS [psi]	3625	3770	3770
SP [psi]	4495	4640	4640
BP [psi]	73	73	73
BR [psi]	22	22	22
MD [GPM]	11.9	21.1	21.1
MF [GPM]	2.1	2.6	2.6
RT [psi]	29.8	39.4	50
RD [in]	0.394	0.551	0.630
MP V1-V2	n°2 3/4 - 16 UNF	n°2 7/8 - 14 UNF	