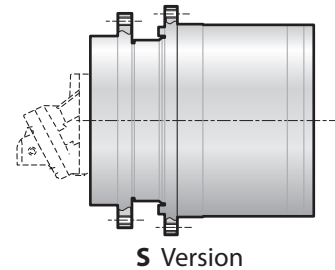
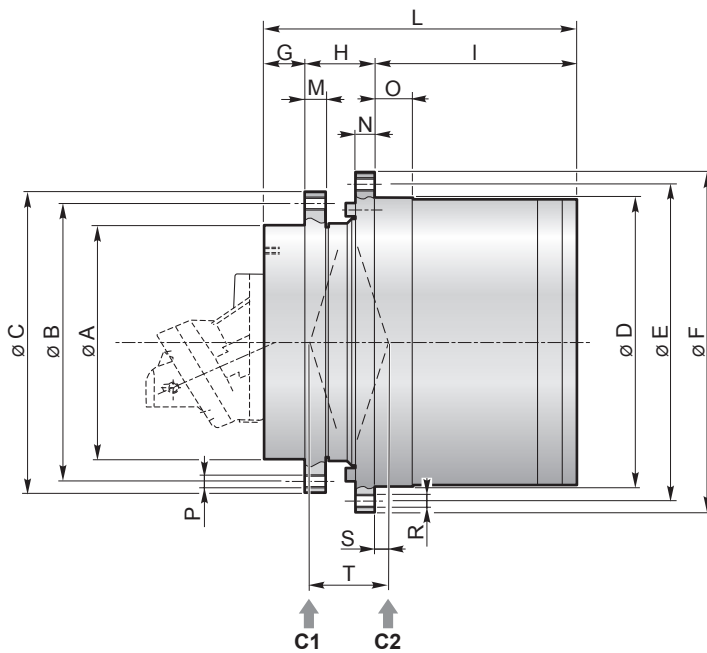


### SC Version

Alternative configurations available on demand



		EH 5000 SC	EH6000 SC	EH8000 SC	EH1 1000 SC	EH16000 SC	EH22000 SC	EH26000 SC	EH33000 SC
Maximum output torque	[Nm]	50000	60000	80000	110000	160000	220000	260000	330000
(*) Preferable ratio (i)		125.7	139.9	149.9	147.2	210.7	246	187.5	252
Weight (Approx.)	[kg]	220	230	405	410	680	830	970	1250

#### Capacity of bearings

C dynamic	[kN]	212	330	512	512	765	765	1080	1120
C <sub>0</sub> - static	[kN]	425	600	1080	1080	1660	1660	2360	2550

#### Multi-disc brake

Static braking torque	[Nm]	800	720	1020	1020	1020	1100	1900	2500
-----------------------	------	-----	-----	------	------	------	------	------	------

#### Hydraulic motor

Available motor connection: <b>A2FE</b>	80/61W-NAL 90/61W-NAL	80/61W-NAL 90/61W-NAL	107/61W-NZL 125/61W-NZL 160/61W-NZL 180/61W-NZL	107/61W-NZL 125/61W-NZL 160/61W-NZL 180/61W-NZL	107/61W-NZL 125/61W-NZL 160/61W-NZL 180/61W-NZL	107/61W-NZL 125/61W-NZL 160/61W-NZL 180/61W-NZL	250/60W-VZM	355/60W-VZM
Available motor connection: <b>A6VE</b>	80/63W-VAL 107/63W-VZU	80/63W-VAL 107/63W-VZU	107/63W-VZL 160/63W-VZL	107/63W-VZL 160/63W-VZL	107/63W-VZL 160/63W-VZL	107/63W-VZL 160/63W-VZL 250/63W-VZM	250/63W-VZM	//////////

#### Dimensions

ØA	[mm]	270 h8	350 h8	380 h8	380 h8	450 h8	460 g6	530 h8	580 h8
ØB	[mm]	310	400	430	430	510	600	630	680
ØC	[mm]	350	445	480	480	560	650	685	735
ØD	[mm]	350 h8	400 h8	515 h8	515 h8	535 h8	610 g6	610	660 h8
ØE	[mm]	400	450	566	566	600	680	685	730
ØF	[mm]	430	490	614	614	650	735	740 h8	785
G	[mm]	39.5	25	22	22	30	45	125	150
H	[mm]	82	90	120	120	168	170	125	125
I	[mm]	281.5	294	323	328	340	350	370	430
L	[mm]	403	409	465	470	538	565	620	705
M	[mm]	25	30	40	40	40	40	40	40
N	[mm]	25	33	36	36	40	50	48	40
O	[mm]	30	31	28	23	65	60	////////	80
P		N°20-M20x1.5	N°24-M24x2	N°20-M24	N°20-M24	N°30-M24x2	N°30 M30	N°28-M30	N°30-M30
R		N°16-M20x1.5	N°20-M20x1.5	N°16-M24	N°16-M24	N°30-M24x2	N°24 M30	N°28-M30	N°30-M30
S	[mm]	54	48	48	58	26	35	18	36
T	[mm]	111	117	137	143	164	190	202	181

(\*) Different ratios available on demand